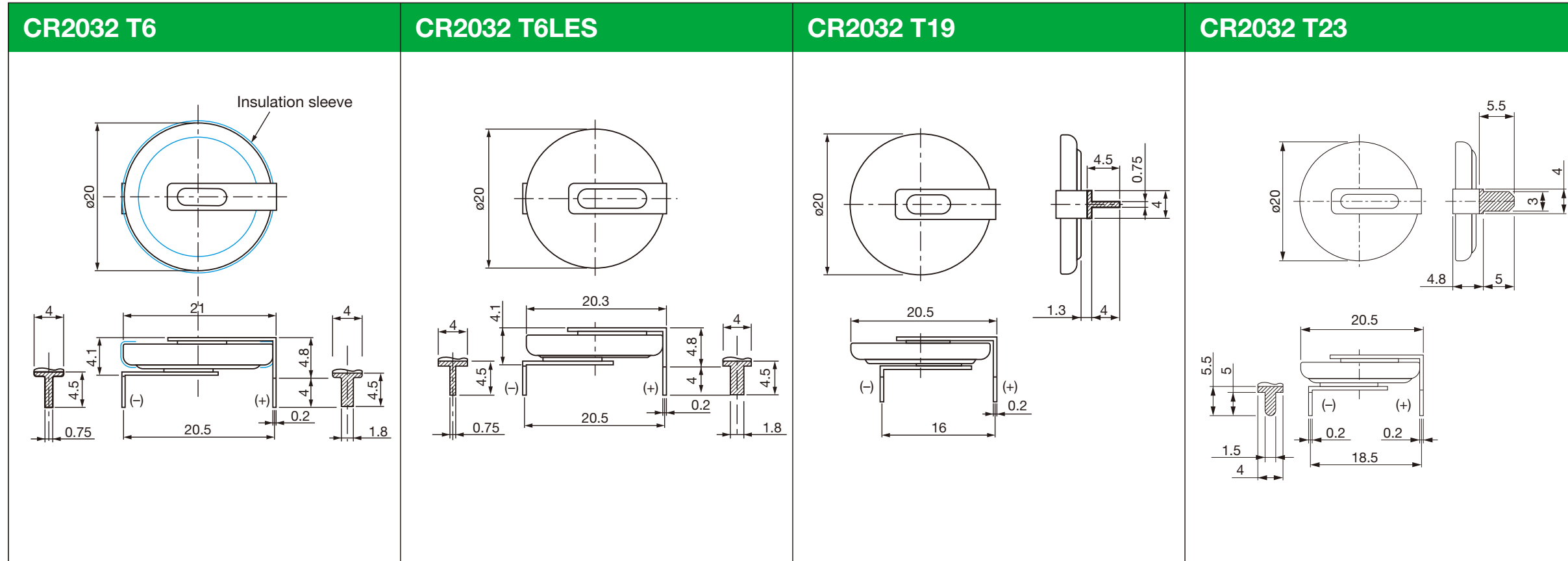


CR2032

Diagrams of Batteries with Terminals

External Dimensions (unit: mm)

- Horizontal & Through hole Type



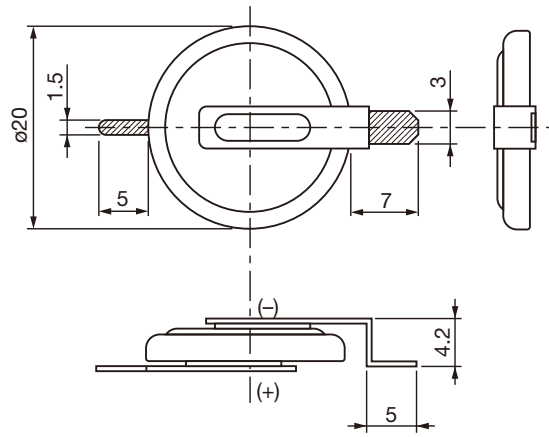
CR2032

Diagrams of Batteries with Terminals

External Dimensions (unit: mm)

- Horizontal & Surface mounting Type

CR2032 T33



 Tin plating

CR2032

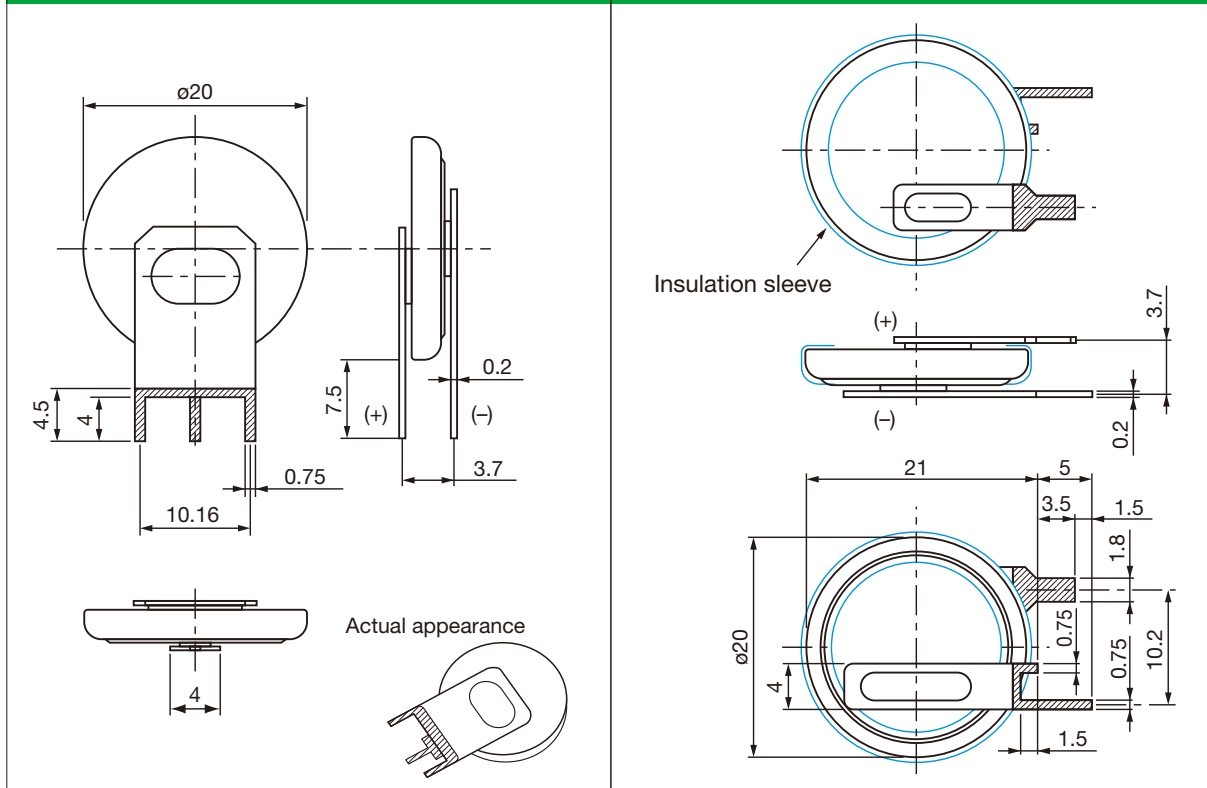
Diagrams of Batteries with Terminals

External Dimensions (unit: mm)

- Vertical & Through hole Type

CR2032 T26

CR2032 T34



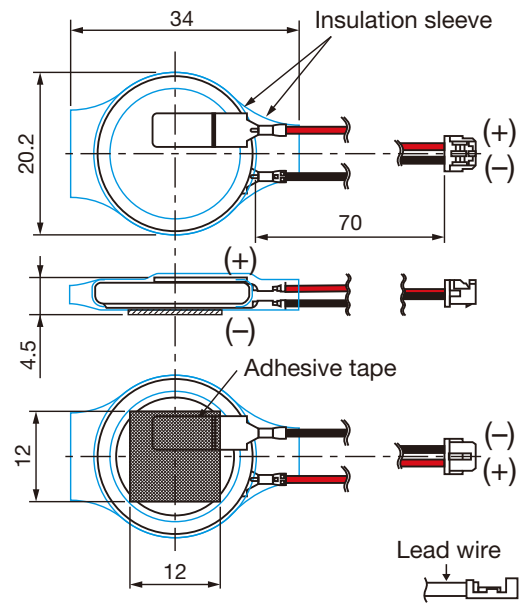
CR2032

Diagrams of Batteries with Terminals

External Dimensions (unit: mm)

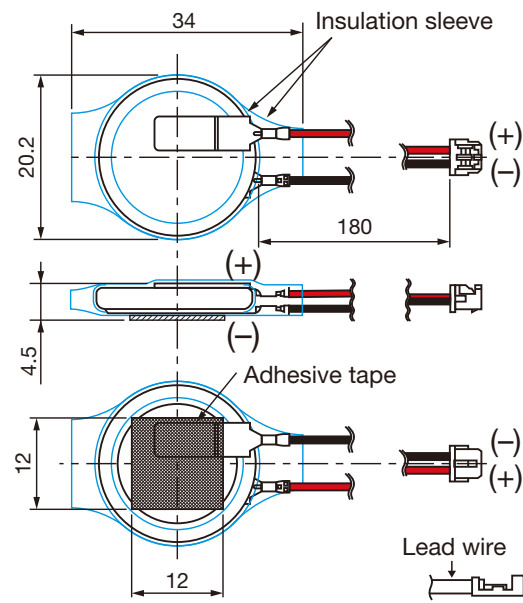
● Wire connector Type

CR2032 WK11



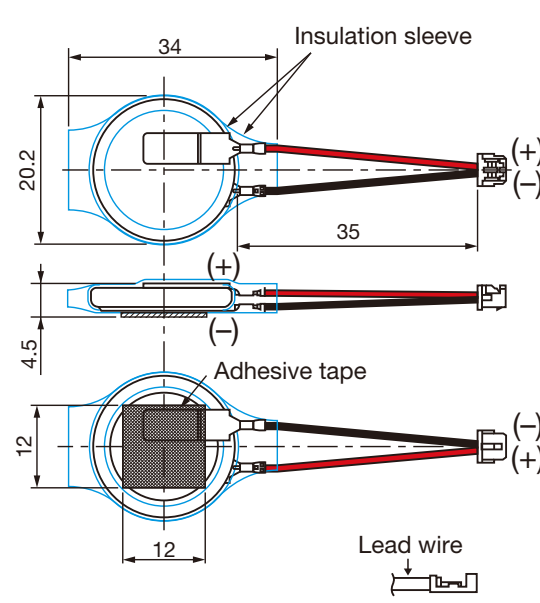
Housing: DF13-2S-1.25C (Hirose)
 Contact: DF13-2630SCF (Hirose)
 Wire: AWG28 UL1571

CR2032 WK12



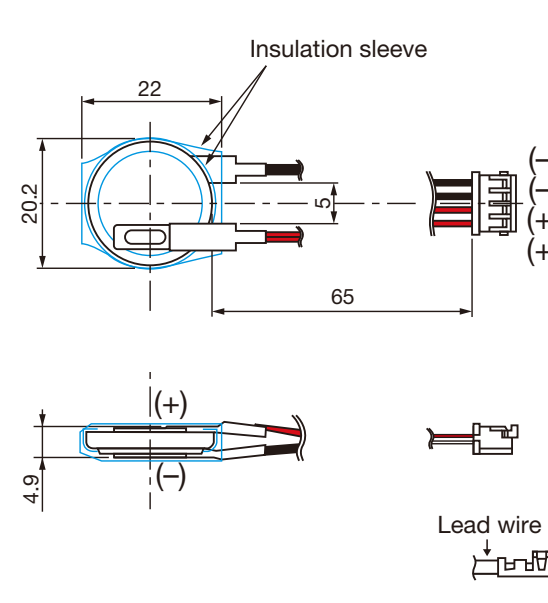
Housing: DF13-2S-1.25C (Hirose)
 Contact: DF13-2630SCF (Hirose)
 Wire: AWG28 UL1571

CR2032 WK13



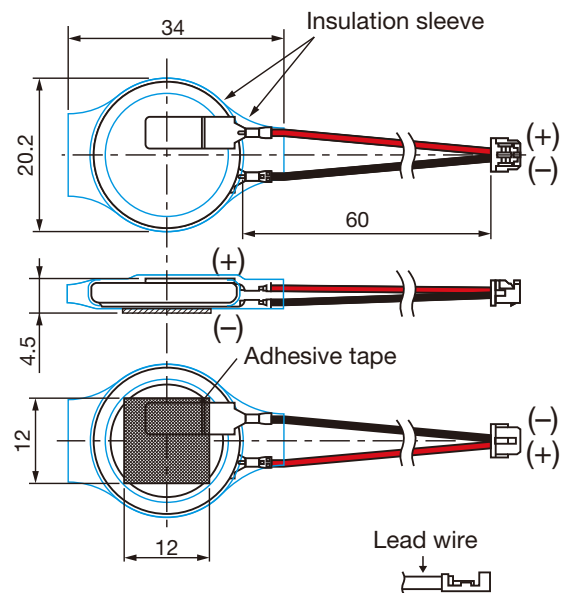
Housing: DF13-2S-1.25C (Hirose)
 Contact: DF13-2630SCF (Hirose)
 Wire: AWG28 UL1571

CR2032 WK14



Housing: DF3-4S-2C (Hirose)
 Contact: DF3-2428SCF (Hirose)
 Wire: AWG26 UL1007

CR2032 WK15



Housing: DF13-2S-1.25C (Hirose)
 Contact: DF13-2630SCF (Hirose)
 Wire: AWG28 UL1571

Tin plating