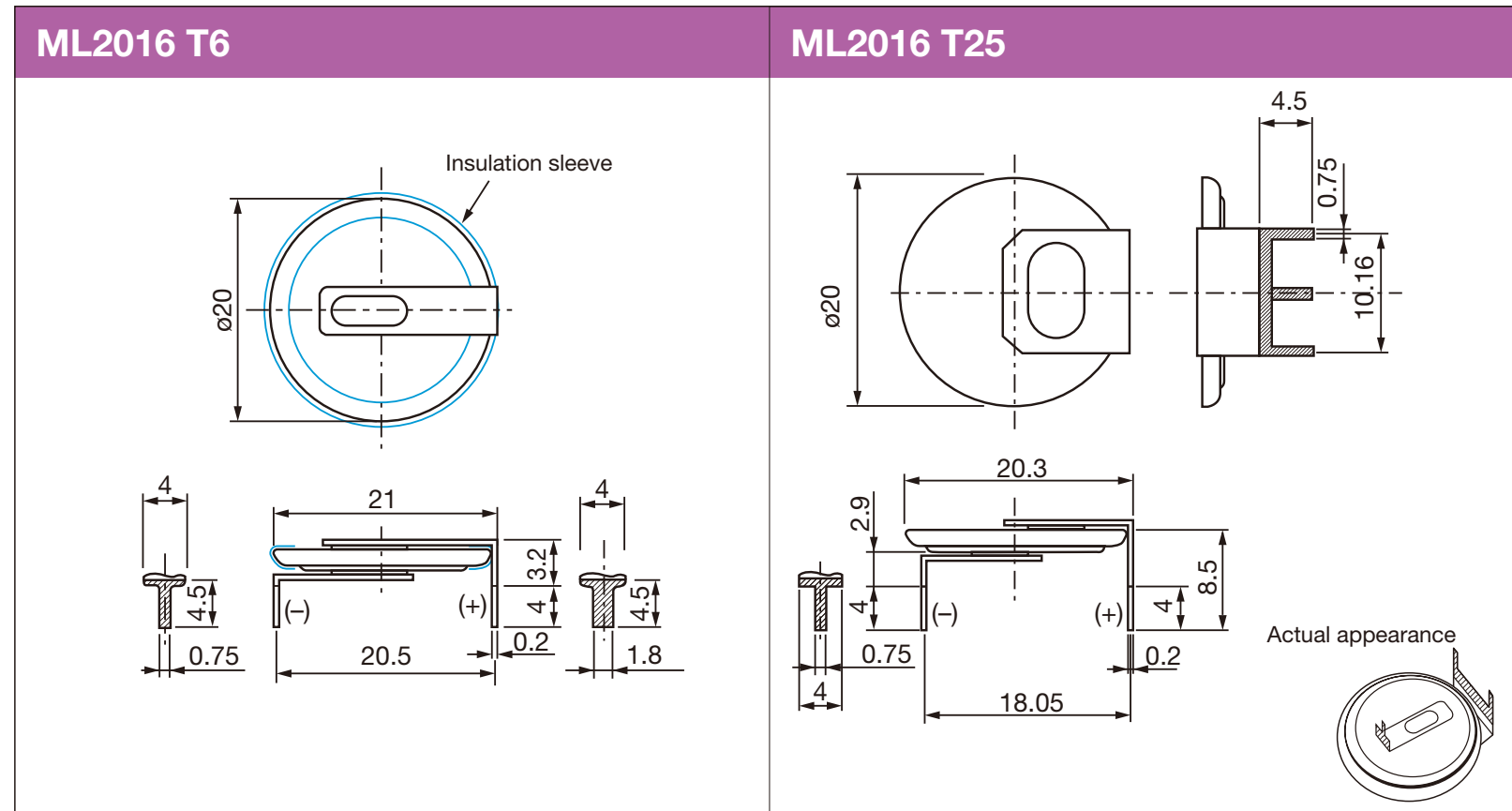
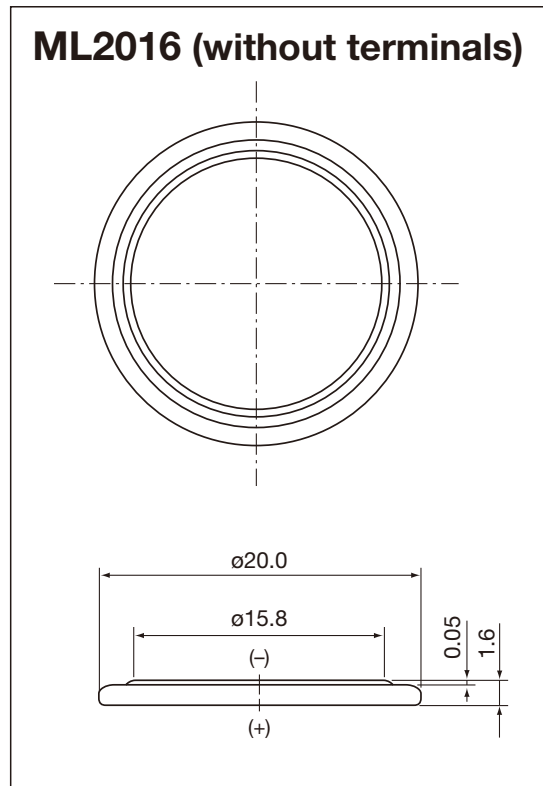


# ML2016 (25mAh)

## Diagrams of Batteries with Terminals

### External Dimensions (unit: mm)

● Horizontal & Through hole Type



Tin plating

# ML2016 (25mAh)

## Diagrams of Batteries with Terminals

### External Dimensions (unit: mm)

- Vertical & Through hole Type

