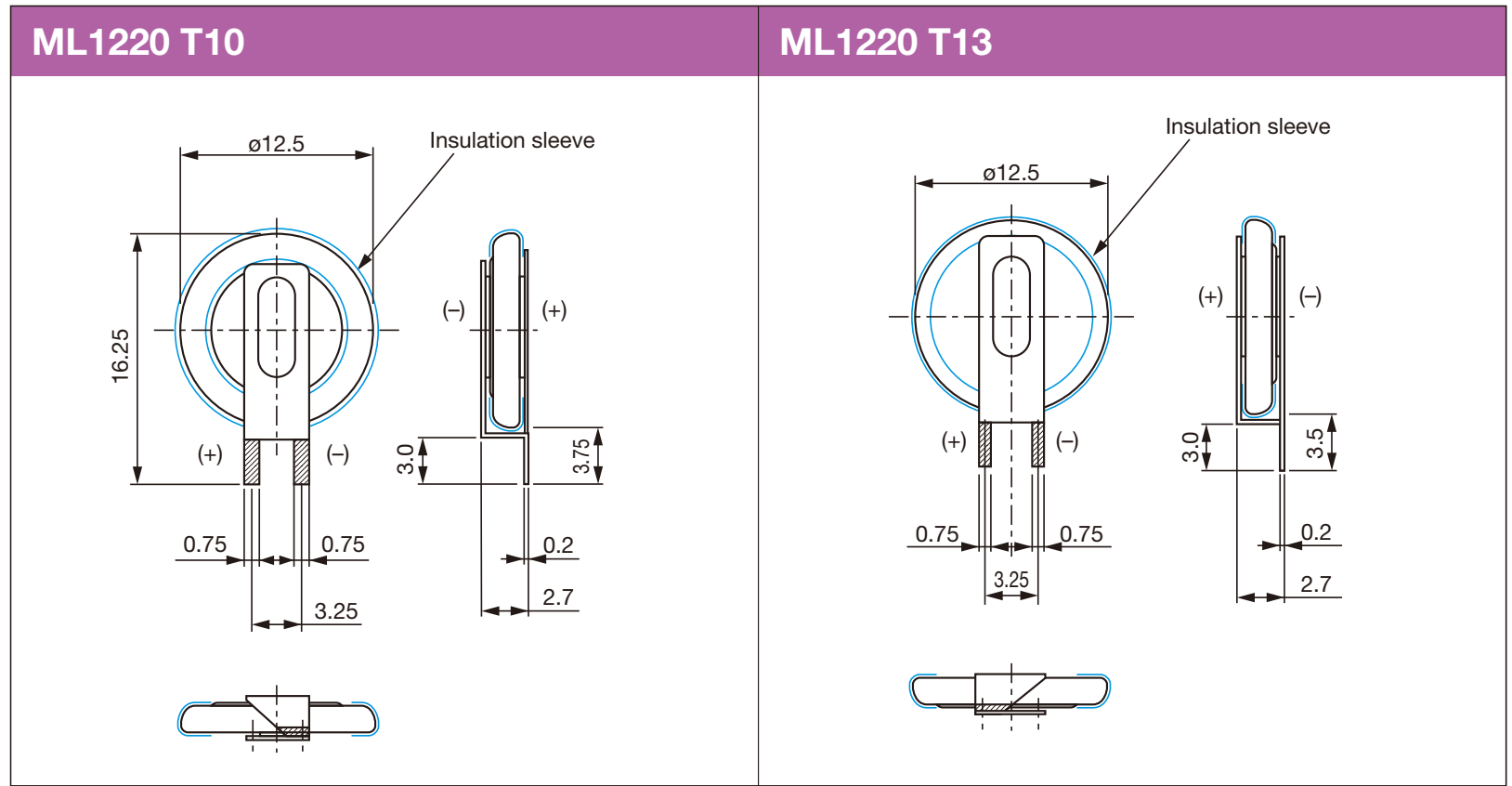
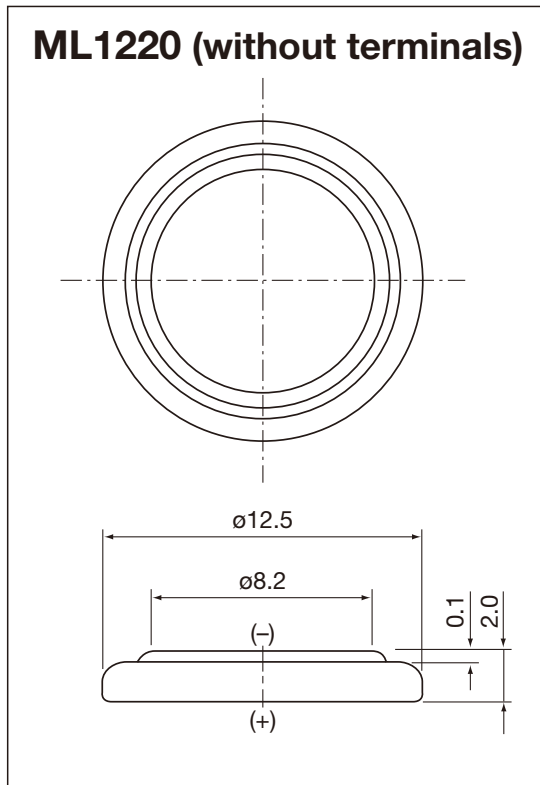


ML1220 (18mAh)

Diagrams of Batteries with Terminals

External Dimensions (unit: mm)

● Horizontal & Surface mounting Type



Tin plating