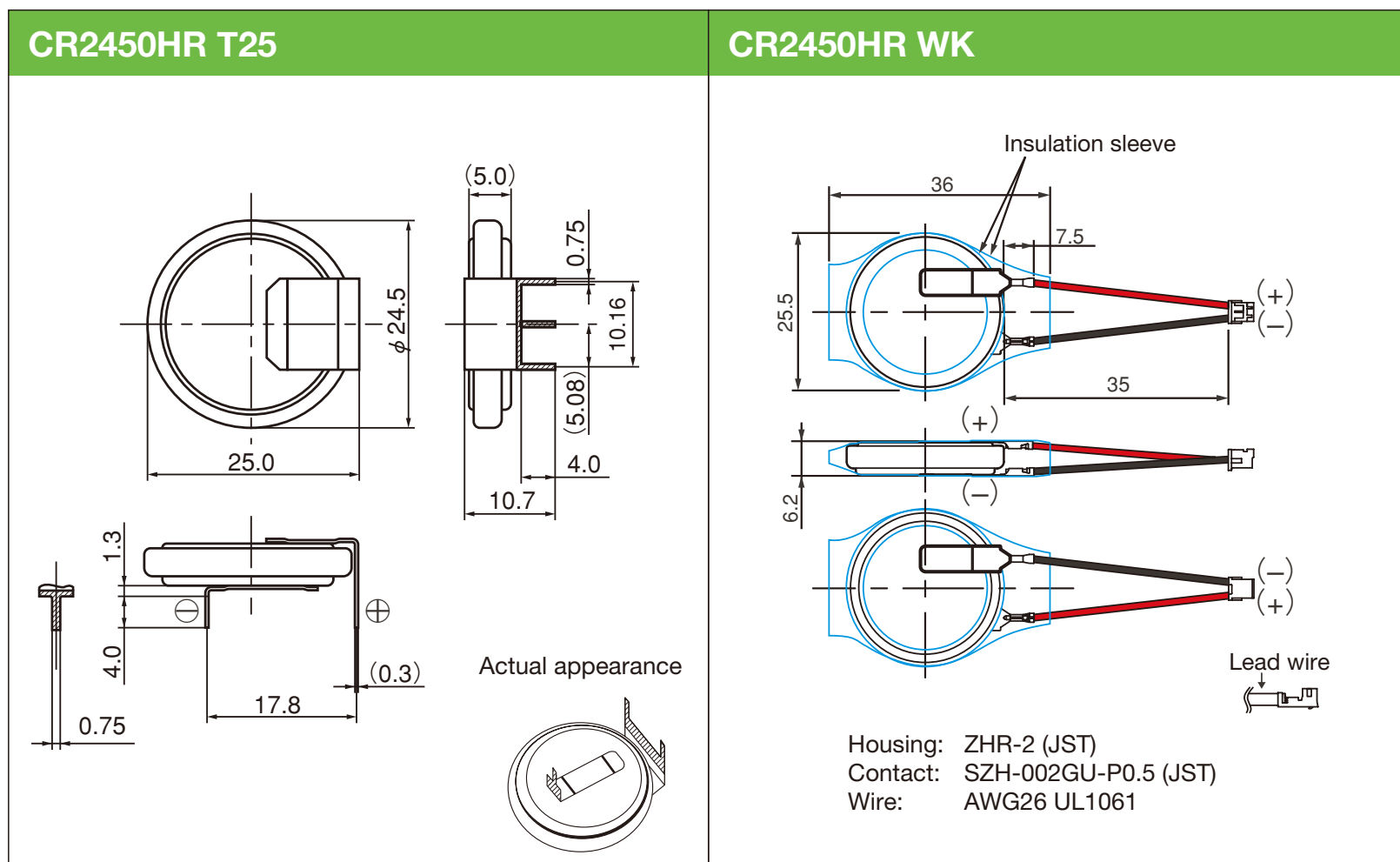


CR2450HR (550mAh) Diagrams of Batteries with Terminals

External Dimensions (unit: mm)

- Horizontal & Through hole Type



Tin plating